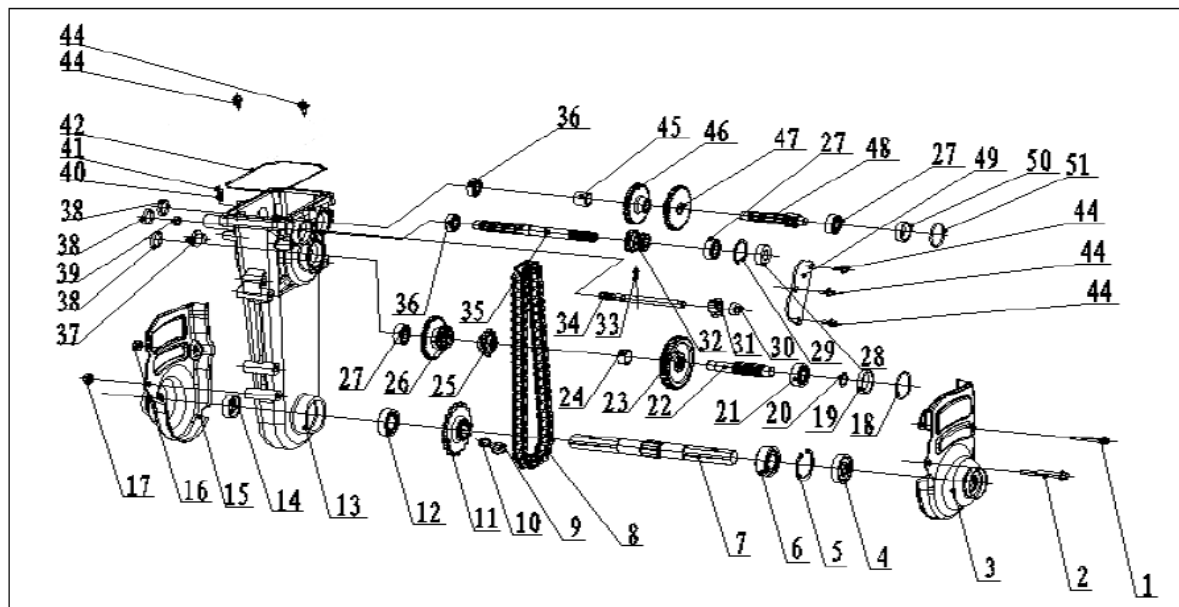


Model: FX 815TG

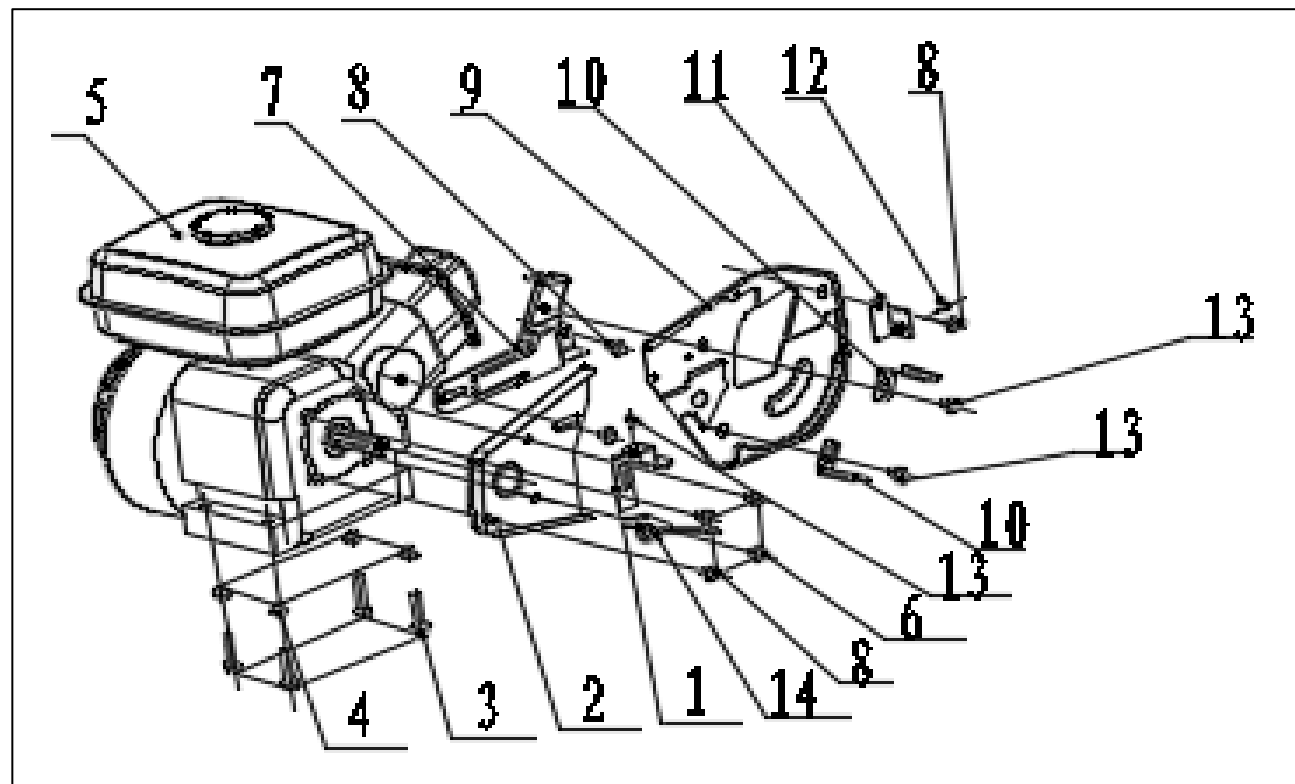
Part Number: 90063182

Year: 2020

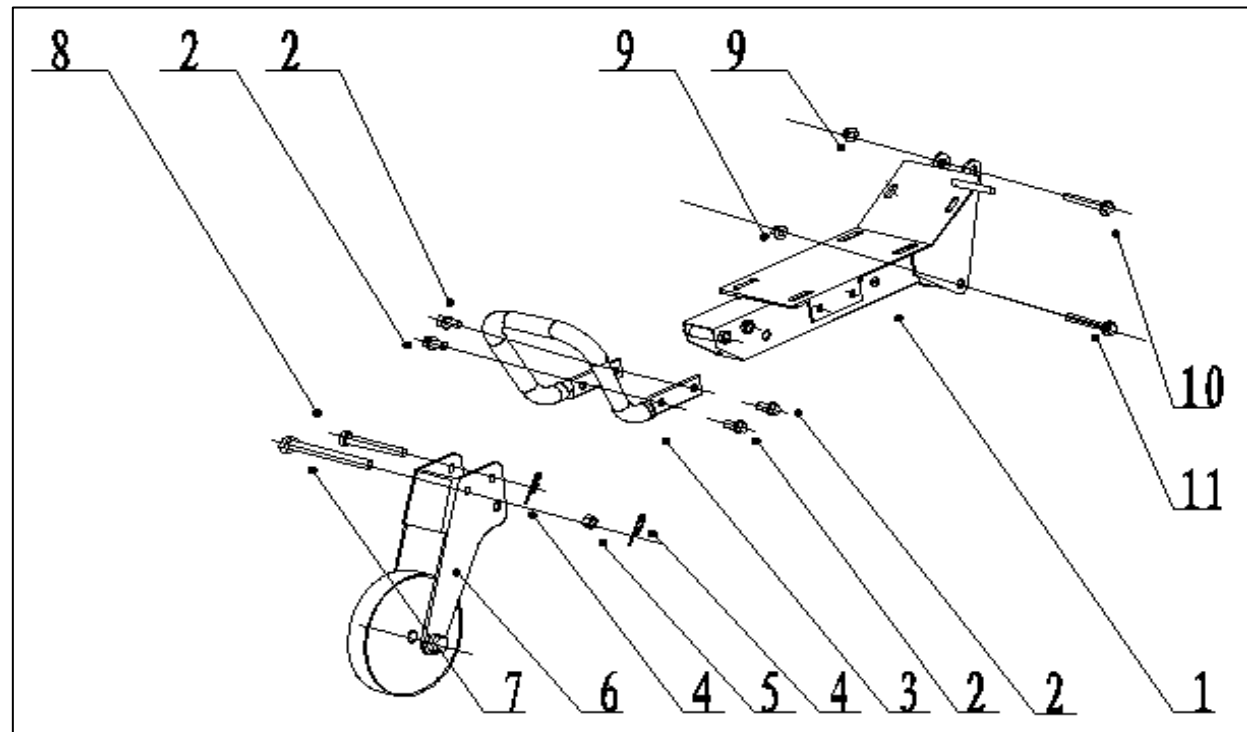


POS	QTY	PARTNUMBER	BESKRIVELSE	DESCRIPTION
1	1	443928	BOLT M6X45	HEXAGONAL BOLT M6×45
2	1	443929	FLANGEBOLT M8X60	HEXAGONAL BOLT M8×60
3	1	443930	KÆDEKASSE HØJRE SIDE	LEFT PROTECTION COVER FOR GEARBOX
4	1	443931	PAKNING Ø25XØ52X9	OIL SEAL Ø25×Ø52×9
5	1	443932	SEEGERRING U52	RETAINING RING 52
6	1	443933	KUGLELEJE 6205	DEEP GROOVE BEARING 6205
7	1	443934	UDGANGSAKSEL	HEXAGONAL OUTPUT SHAFT
8	1	443935	KÆDE	CHAIN (50 GROUPS)
9	1	443936	FLANGEBOLT M10X12	HEXAGON FLANGE BOLTS M10×12
10	1	443937	SKIVE	"ALUMINUM FLAT PAD ?10.5*?15*2"
11	1	443938	KÆDEHJUL	DRIVEN SPROCKET
12	1	443939	KUGLELEJE 6205	DEEP GROOVE BEARING 6005
13	1	443940	KÆDEKASSE	GEARBOX BODY
14	1	443941	PAKNING Ø25XØ41X9	OIL SEAL ?25×?41×9
15	1	443942	KÆDEKASSE VENSTRE	RIGHT PROTECTION COVER FOR GEARBOX
16	1	443943	MØTRIK M6	HEXAGON NUT M6
17	1	443944	MØTRIK M8	HEXAGON NUT M8
18	1	443945	O-RING Ø45X2.65	O-RING ?45×2.65
19	1	443946	SKIVE Ø45X2.65	STOP RING II?36×?41×7
20	1	443947	PAKNING Ø17.5XØ26X1	GASKET ?17.5×?26×1
21	1	443948	KUGLELEJE 6203	DEEP GROOVE BEARING 6203
22	1	443949	DRIVAKSEL	DRIVE SHAFT
23	1	443950	GEAR	DRIVE GEAR
24	1	443951	BØS	DRIVE SHAFT BUSHING
25	1	443952	TANDHJUL	DRIVING SPROCKET
26	1	443953	TANDHJUL FOR BAK	REVERSE DOUBLE GEAR
27	3	443954	KUGLELEJE 6202	DEEP GROOVE BEARING 6202
28	1	443955	PAKNING Ø15XØ35X7	OIL SEAL ?15×?35×7
29	1	443956	HESTESKOSIKRING U35	RETAINING RING 35
30	1	443957	PAKNING Ø12XØ22X6	OIL SEAL ?12*?22*6
31	1	443958	GEARVÆLGER	SHIFTING FORK
32	1	443959	GEARHJUL	SPINDLE DOUBLE GEAR
33	1	443960	BOLT M6X20	HEXAGON BOLT M6×20
34	1	443961	GEARAKSEL	SHIFTING FORK SHAFT
35	1	443962	AKSEL	MAIN SHAFT
36	2	443963	LEJE 6002	DEEP GROOVE BEARING 6002
37	1	443964	OLIEPIND	DIPSTICK
38	3	443965	GUMMIRING Ø28X24X6	"DUSTPROOF RUBBER ?28×?24×6"
39	1	443966	GUMMIRING Ø16XØ13.5X5.5	"DUSTPROOF RUBBER ?16×?13.5×5.5"
40	1	443967	FJEDER Ø1XØ6X20	"LIMIT SPRING FOR FORK ?1×?6×20"
41	1	443968	STÅLBOLT Ø6.3	STEEL BALL ?6.3

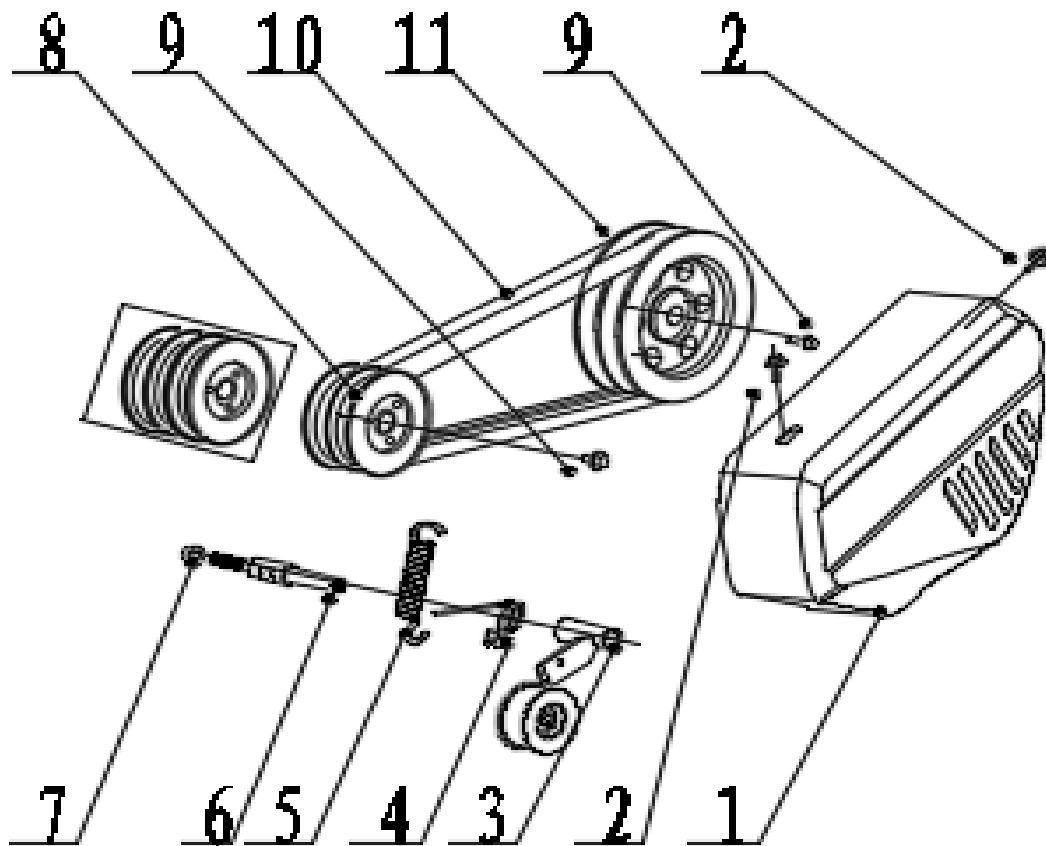
POS	QTY	PARTNUMBER	BESKRIVELSE	DESCRIPTION
42	1	443969	TÆTNINGSRING	SEALING RING
44	5	443971	BOLT M6X12	HEXAGON BOLT M6×12
45	1	443972	BØS FOR AKSEL	SECONDARY SHAFT BUSHING
46	1	443973	ANDET GEAR	SECOND GEAR
47	1	443974	FØRSTE GEAR	ONE GEAR
48	1	443975	AKSEL	SECONDARY SHAFT
49	1	443976	OLIETÆTNINGSPLADE	SEALING OIL PLATE
50	1	443977	TÆTNINGSRING	STOP RING 1?30×?35×7
51	1	443978	O-RING Ø40X2.65	O-RING ?40×2.65



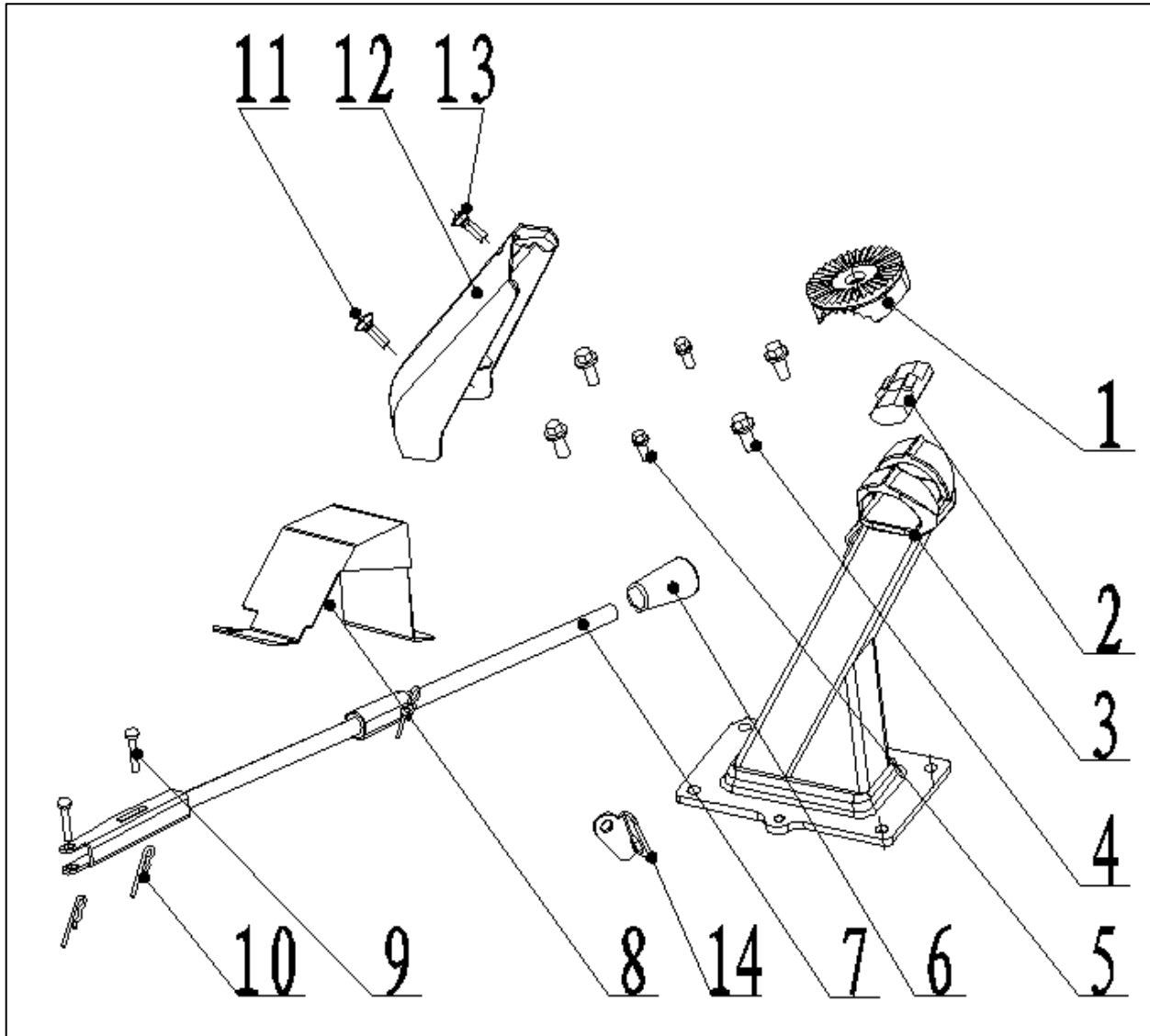
POS	QTY	PARTNUMBER	BESKRIVELSE	DESCRIPTION
1	1	443979	STRAMMEPLADE	TENSIONER PLATE A
2	1	443980	BUNDPLADE FOR DRIVREMSSKIVE	BOTTOM PLATE OF DRIVING PULLEY
3	4	443981	FLANGEBOLT M8X35	HEXAGON FLANGE BOLT M8×35
4	4	443944	MØTRIK M8	HEXAGON NUT M8
5	1	443982	MOTOR TG725	H170F GASOLINE ENGINE
6	3	443983	FLANGEBOLT M8X16	HEXAGON FLANGE BOLT M8×16
7	1	443984	KABELBESLAG	TENSION CABLE BRACKET
8	2	443985	FLANGEBOLT M8X12	HEXAGON FLANGE BOLT M8×12
9	1	443986	BESLAG FOR DRIVREMSSKIVE	DRIVEN PULLEY BOTTOM PLATE
10	1	443987	BESLAG C	TENSIONER PLATE C
11	1	443988	BESLAG FOR REM LÅG	FRONT BRACKET FOR BELT COVER
12	1	443989	FLANGEBOLT M6X10	HEXAGON FLANGE BOLT M6×10
13	3	443990	FLANGEBOLT M6X12	HEXAGON FLANGE BOLT M6×12
14	1	443991	BESLAG B	TENSIONER PLATE B



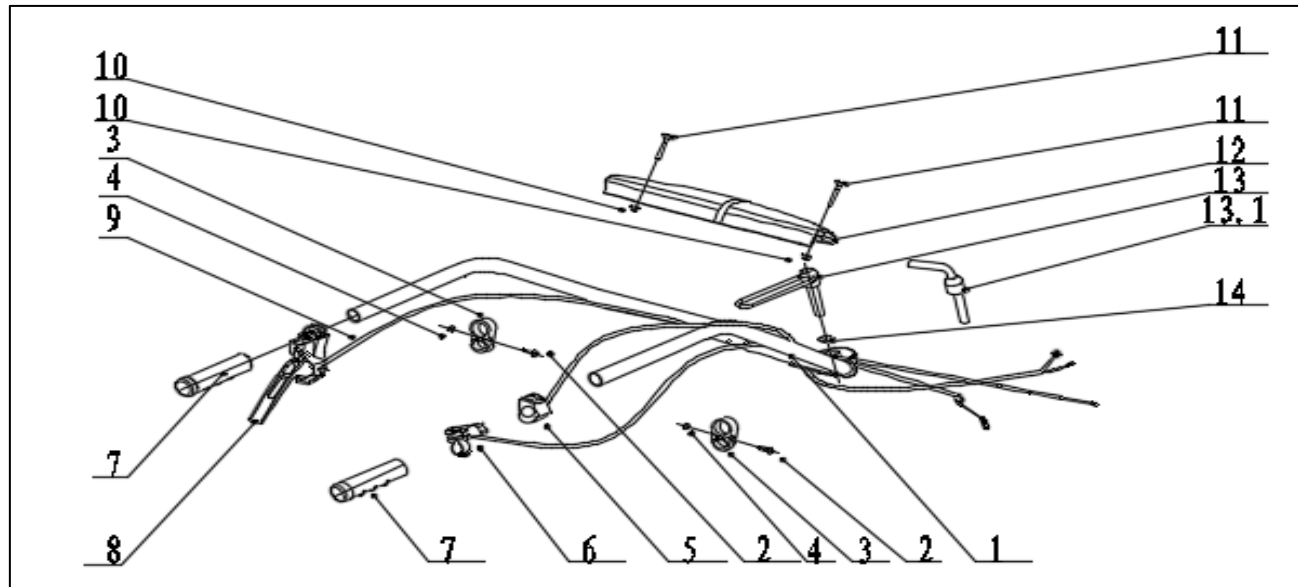
POS	QTY	PARTNUMBER	BESKRIVELSE	DESCRIPTION
1	1	443992	MOTORBESLAG	SUPPORT FOR ENGINE
2	4	443983	FLANGEBOLT M8X16	HEXAGON FLANGE BOLT M8×16
3	1	443993	KOFANGER	BUMPER
4	2	443994	SPLIT Ø2X25	PIN ?2×25
5	1	443995	MØTRIK M10	SLOTTED NUT M10
6	1	443996	HJUL KOMPLET	FRONT WHEEL
7	1	443997	BOLT M10X85	HEXAGON BOLT M10×85
8	1	443998	SPLIT 10X70	B PIN 10×70
9	2	443944	MØTRIK M8	HEXAGON NUT M8
10	1	443999	FLANGEBOLT M8X65	HEXAGON FLANGE BOLT M8×65
11	1	443929	FLANGEBOLT M8X60	HEXAGONAL BOLT M8×60



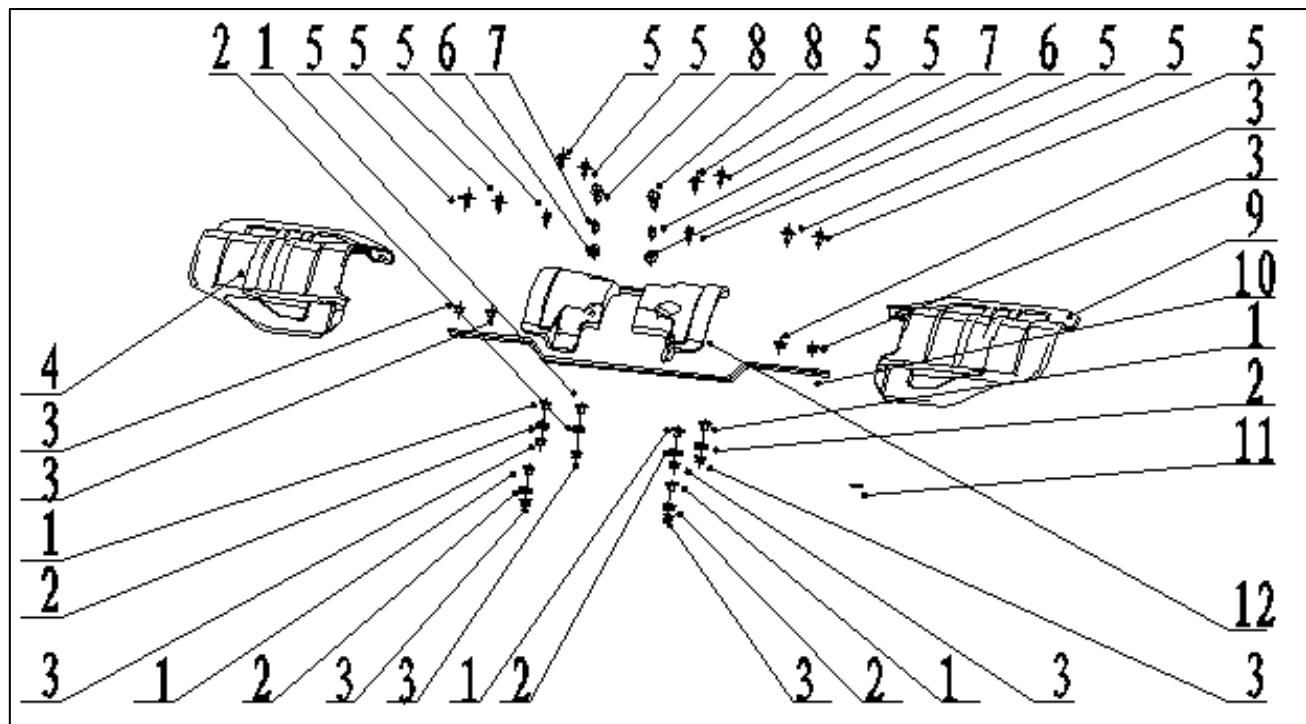
POS	QTY	PARTNUMBER	BESKRIVELSE	DESCRIPTION
1	1	444000	REMSKÆRM	BELT COVER
2	2	443989	FLANGEBOLT M6X10	HEXAGON FLANGE BOLT M6×10
3	1	444001	STRAMMERULLE	TENSIONER ASSEMBLY
4	1	444002	FJEDER	RESET SPRING
5	1	444003	FJEDER FOR STRAMMERULLE	TENSION SPRING
6	1	444004	HJULAKSEL	TENSION WHEEL SHAFT
7	1	443944	MØTRIK M8	HEXAGON NUT M8
8	1	444005	REMSKIVE	DRIVING PULLEY
9	2	444006	FLANGEBOLT M8X20	HEXAGON FLANGE BOLT M8×20
10	2	444007	REM	V BELT
11	1	444008	REMSKIVE	DRIVEN PULLEY



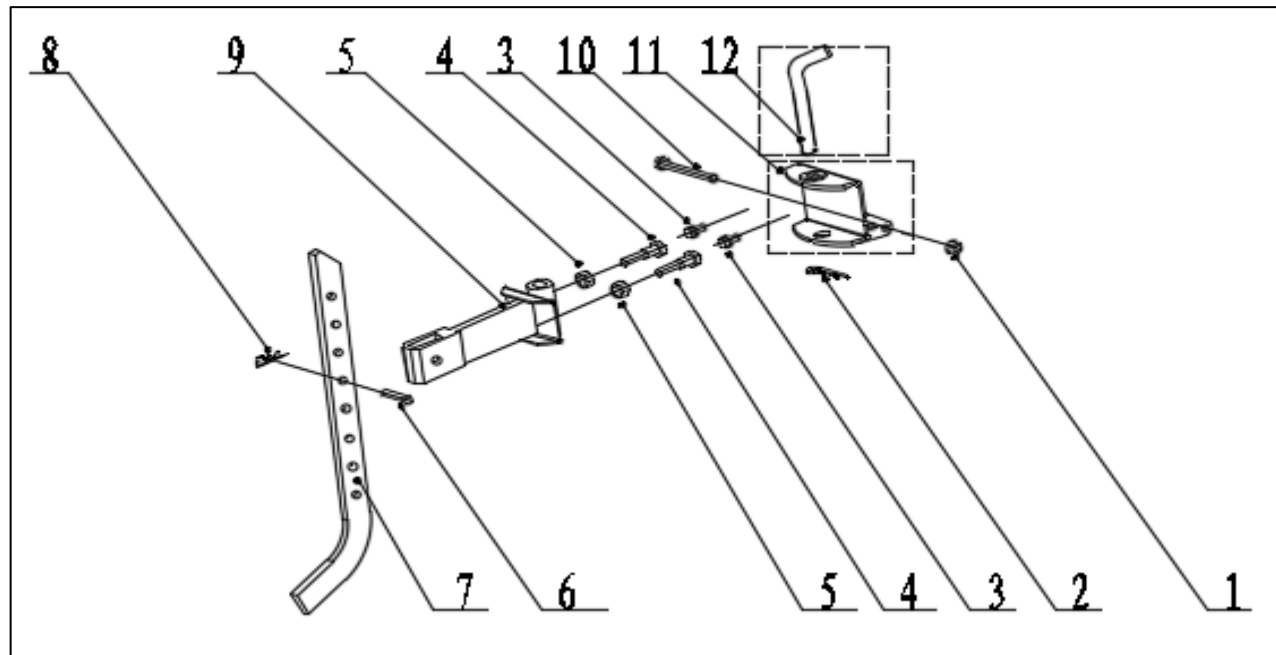
POS	QTY	PARTNUMBER	BESKRIVELSE	DESCRIPTION
1	1	444009	TANDKRANS	TOOTH PLATE
2	1	444010	BESLAG	LIMIT BLOCK
3	1	444011	KONSOL	ARMREST SEAT
4	4	444006	FLANGEBOLT M8X20	HEXAGON FLANGE BOLT M8×20
5	2	443971	BOLT M6X12	HEXAGON BOLT M6×12
6	1	444012	GUMMI GREB	HANDLE RUBBER SLEEVE
7	1	444013	SKIFTEARM	SHIFT LEVER
8	1	444014	DÆKSEL FOR SKIFTEARM	SHIFT COVER
9	2	444015	SPLITBOLT 5X24	PIN 5×24
10	2	444016	SPLIT Ø1,2X6X27	R PIN ?1.2×6×27
11	1	444017	BOLT M6X50	SCREW M6×50
12	1	444018	DÆKSEL FOR KONSOL	ARMREST SEAT COVER
13	1	444019	BOLT M6X30	SCREW M6×30
14	1	465029	BESLAG	BELT COVER FRONT BRACKET



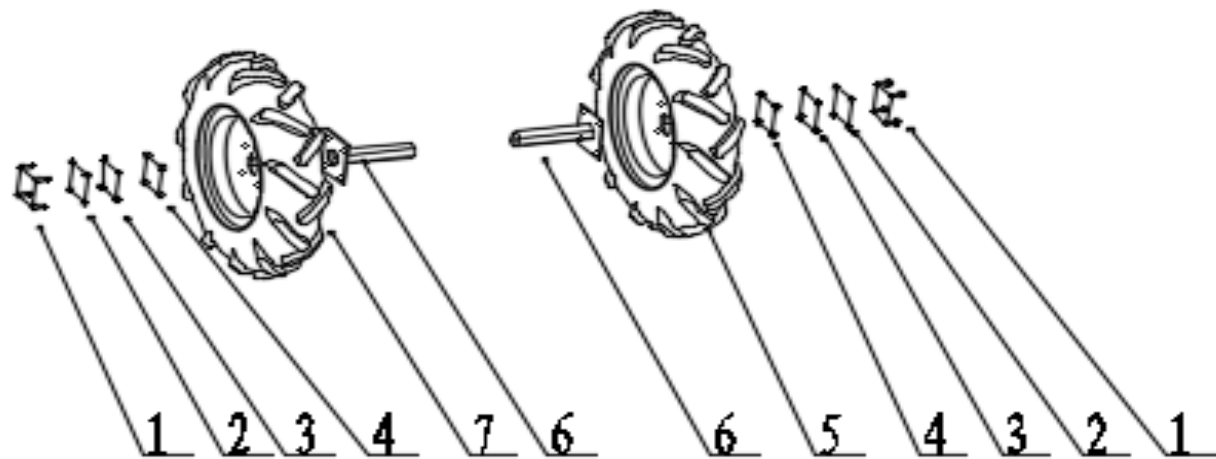
POS	QTY	PARTNUMBER	BESKRIVELSE	DESCRIPTION
1	1	444020	STYR	ARMREST
2	2	444021	BOLT M5X30	HEXAGON SOCKET BOLT M5×30
3	2	444022	KABELHOLDER	LINE CARD
4	2	444023	MØTRIK M5	HEXAGON NUT M5
5	1	444024	START/STOP KABEL KOMPLET	FLAMEOUT LINE
6	1	444025	GASHÅNDTAG	THROTTLE SWITCH ASSEMBLY
7	2	444026	GUMMIHÅNDTAG	HANDRAIL RUBBER SLEEVE
8	1	444027	KOBLINGSGREB	CLUTCH HANDLE
9	1	444028	KOBLINGSKABEL	CLUTCH LINE
10	2	443943	MØTRIK M6	HEXAGON NUT M6
11	2	444029	BOLT M6X35	SCREW M6×35
12	1	444030	BRYSTPLADE	ARMREST FRAME COVER
13	1	444031	LÅSE HÅNDTAG	LOCK HANDLE
14	1	444032	FJEDERSKIVE	SPRING PAD OF LOCK HANDLE



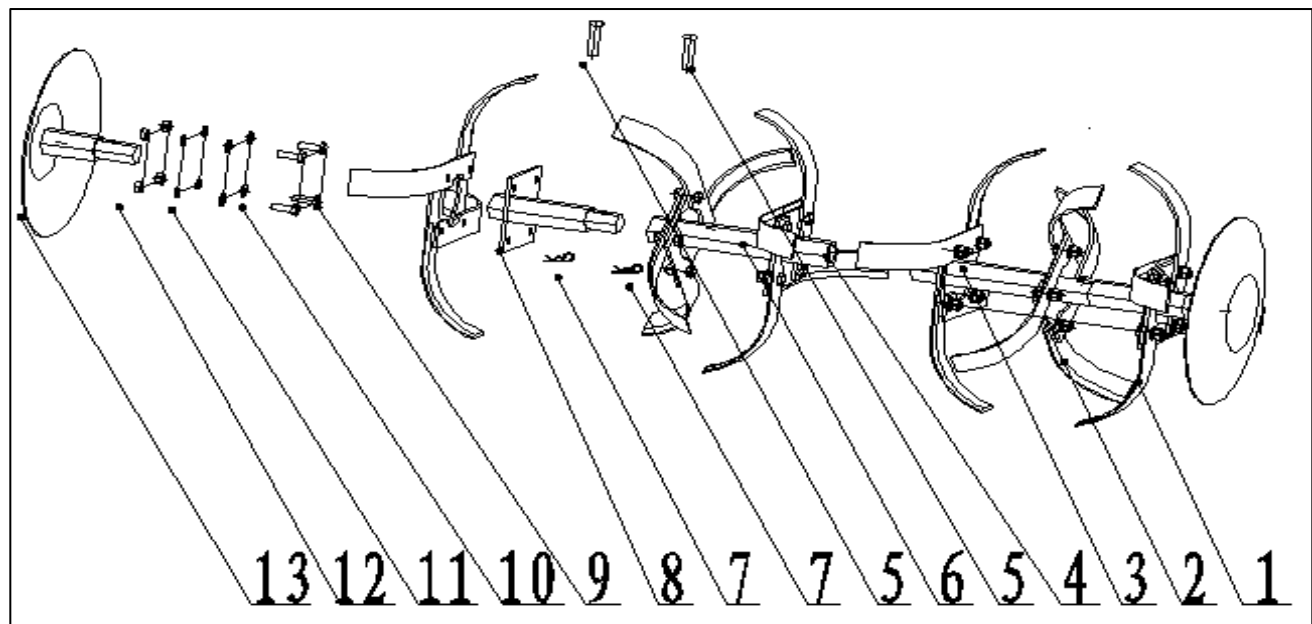
POS	QTY	PARTNUMBER	BESKRIVELSE	DESCRIPTION
1	6	444033	BØSNING	FENDER BUSHING
2	6	444034	GUMMIPROP	FENDER RUBBER STOPPER
3	10	443943	MØTRIK M6	HEXAGON NUT M6
4	1	444035	SKÆRM VENSTRE 2MM	LEFT MAIN FENDER 2MM
5	10	444036	BOLT M6X20	HEXAGON FLANGE BOLT M6×20
6	2	443944	MØTRIK M8	HEXAGON NUT M8
7	2	444037	BØSNING	INNER FENDER BUSHING
8	2	444038	BOLT M8X25	HEXAGON FLANGE BOLT M8×25
9	1	444039	SKÆRM HØJRE 2MM	RIGHT MAIN FENDER 2MM
10	1	444040	BESLAG BAGERST	FENDER REAR BRACKET
11	10	444041	UNDERLAG FOR SKÆRM	PAPER PAD FOR FENDER ?6
12	1	444042	SKÆRM INDRE	INNER FENDER



POS	QTY	PARTNUMBER	BESKRIVELSE	DESCRIPTION
1	1	444043	MØTRIK M10	HEXAGON FLANGE NUT M10
2	1	444044	FJEDERSPLIT Ø3X20X60	? TYPE PIN ?3×20×60
3	2	444045	BOLT M10X25	HEXAGON FLANGE BOLT M10×25
4	2	444046	BOLT M12X50	HEXAGON BOLT M12×50
5	2	444047	MØTRIK M12	HEXAGON FLANGE FACE NUT M12
6	1	444048	SPLITBOLT 10X40	B TYPE PIN 10×40
7	1	444049	JORDSPYD	L-TYPE RESISTANCE CULTIVATOR
8	1	444050	FJEDERSPLIT Ø2X9X38	? TYPE COTTER PIN ?2×9×38
9	1	444051	SAMLEBESLAG	CONNECTION BRACKET
10	1	444052	BOLT M10X85	HEXAGON FLANGE BOLT M10×85
11	1	444053	BAGKONSOL	TRAILER
12	1	444054	LÅSE HÅNDTAG	TRAILER LATCH



POS	QTY	PARTNUMBER	BESKRIVELSE	DESCRIPTION
1	8	444055	BOLT M10X25	HEXAGON BOLT M10×25
2	8	444056	DÆMPER 10MM	FLAT PAD 10
3	8	444057	FJEDER DÆMPER 10MM	SPRING PAD 10
4	8	444058	MØTRIK M10	HEXAGON NUT M10
5	1	444059	HJUL VENSTRE	LEFT TIRE
6	2	444060	HJULAKSEL	WHEEL AXLE
7	1	444061	HJUL HØJRE	RIGHT TIRE



POS	QTY	PARTNUMBER	BESKRIVELSE	DESCRIPTION
1	12	444062	KNIV VENSTRE	LEFT DRY BLADE
2	12	444063	KNIV HØJRE	RIGHT DRY BLADE
3	1	444064	KNIVROTOR HØJRE	3-4 RIGHT DRY BLADE ASSEMBLY
4	1	444065	KNIVROTOR VENSTRE	3-4 LEFT DRY BLADE ASSEMBLY
5	4	444066	SPLITBOLT 8X40	B TYPE PIN 8×40
6	2	444067	KNIVROTOR	MAIN CYLINDER
7	4	444050	FJEDERSPLIT Ø2X9X38	? TYPE COTTER PIN ?2×9×38
8	2	444068	KNIVROTOR	VICE-CYLINDER
9	24	444069	BOLT M8X25	HEXAGON BOLT M8×25
10	24	444070	SKIVE 8MM	FLAT PAD 8
11	24	444071	FJEDERSKIVE 8MM	SPRING PAD 8
12	24	444072	MØTRIK M8	HEXAGON NUT M8
13	2	444073	SIDETALLERKEN	DISC